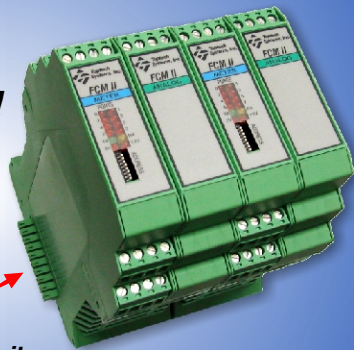


FCM II

Distributed I/O for Load Rack Control



**One-third
the Size of
Previous FCM!**



**With FCM II
Comm and Power
are Bussed Between Units**

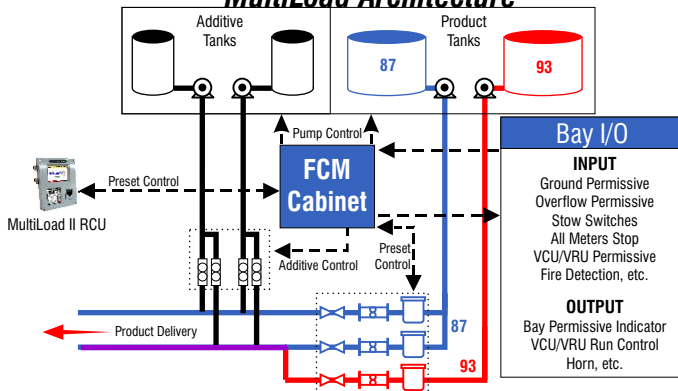
What is an FCM?

The Flow Control Module (FCM) is an **integral part of the MultiLoad system**. The FCM contains its own microprocessor for digital valve control, meter pulse counts and factoring, additive injection, pump and meter permissives, and more.

The utilization of FCMs enables you to extend control beyond the confines of the expensive, heavy metal boxes that clutter today's load racks. Now you can buy as much or as little as you need, and locate that control where it is needed. This design lowers equipment and installation costs significantly compared to traditional presets.

If you need to add a preset to the loading lane, you don't have to purchase, wire and install an entire traditional preset device. All you have to do is snap one or more Flow Control Modules into the FCM enclosure and configure accordingly.

MultiLoad Architecture

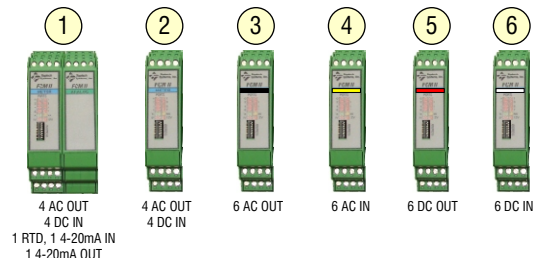


What are the Benefits of FCM II?

In addition to providing all of the original functionality found in the previous generation units, FCM II introduces a variety of new features in a compact new package.

Modular Construction

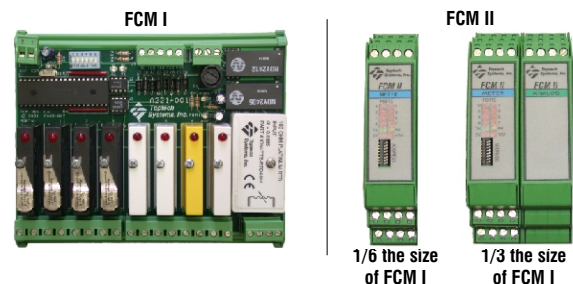
FCM II is **available in six varieties (featured below)**. This modular construction simplifies the process of FCM mapping to field devices by appropriating each FCM II model with just the right amount of I/O for its designated purpose. In addition, FCM IIs are both DIN rail and snap-track mountable and require no wiring between units; 24Vdc and serial communications are bussed. This substantially simplifies installation and wiring.



Ergonomic Packaging

Every FCM II occupies considerably less space than the previous generation FCM. This smaller footprint ranges from **1/3 – 1/6 the size of the original unit**. This allows for more I/O per in² and provides an opportunity to mount several FCM IIs in a compact, explosion-proof enclosure.

Smaller Footprint Means More I/O Per Inch²



Compatibility

FCM I and FCM II utilize the same protocol and can co-exist on the same RS-485 bus. Furthermore, **FCM IIs are backward compatible with previous generation FCMs** allowing them to be used to replace older FCM units. In addition, FCM II is designed to work identically with all MultiLoad products.

USA

280 Hunt Park Cove ♦ Longwood, Florida 32750
Phone: +1 407-332-1774 ♦ Fax: +1 407-332-1802
www.toptech.com

Europe

Nieuwe Weg 1, 2070 Zwijndrecht (Antwerp), Belgium
Phone: +32 (0)3 250 6060 ♦ Fax: +32 (0)3 250 6061
www.toptech europe.com

Toptech is Part of the Liquid Controls Group
A Unit of IDEX Corporation

